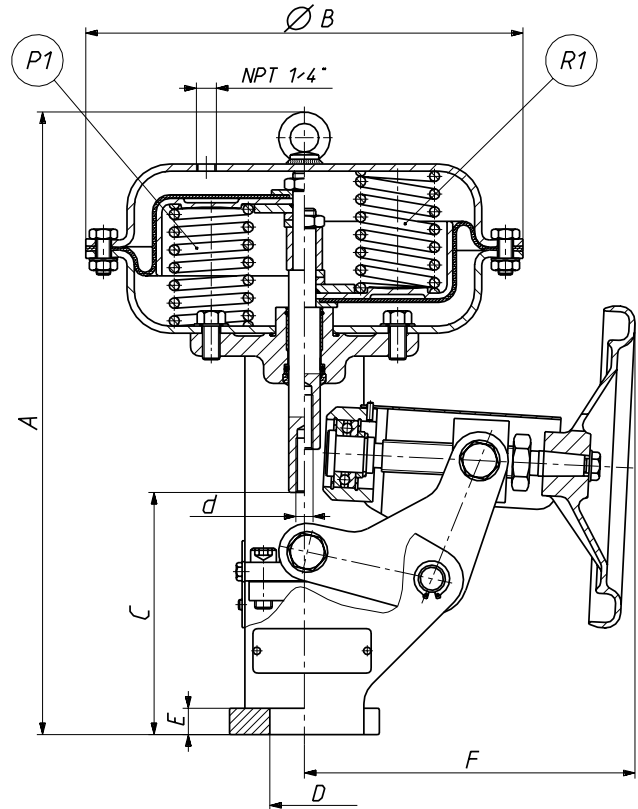


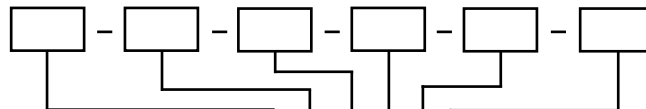
DIMENSIONS AND WEIGHTS

Actuator size	A	B	C		D	E	F	d
			P1; P1B	R1; R1B				
[mm]								
400	453	305	127	100	57,15	17,7	255	M12x1,25
630	548	375	127	107	84,15	22,5	280	M12x1,25 M16x1,5
1000	773	477	153	90	57,15	17,7	340	M12x1,25
					84,15; 95,25	22,5		M16x1,5 M20x1,5
1500	833	550	184	102	57,15	17,7	410	M12x1,25
					84,15; 95,25	22,5		M16x1,5 M20x1,5
1500T	1138	550			84,15; 95,25			M24x1,5



Actuator size	Weight	
	P1; R1	P1B; R1B
	[kg]	
400	20	28
630	40	50
1000	85	105
1500	120	150
1500T	225	255

PRODUCT CODE



Type:	
- direct action:	P1
- reverse action:	R1
- direct action, with drive:	P1B
- reverse action, with drive:	R1B

Size:	400
	630
	1000
	1500
	1500T

Stroke [mm]:	20
	38
	50
	63
	80
	100

Connection thread:	
M12x1,25	12
M16x1,5	16
M20x1,5	20

Spud diameter [mm]:	
57,15	57
84,15	84
95,25	95

Spring range	
[kPa]:	
20...100	1
40...200	2
40...120	3
80...240	4
60...140	5
120...280	6
180...380	7

Example of the product code:

The pneumatic actuator of reverse action, with handwheel, size – 400, stroke 20 mm, spring range 40...200 kPa, with yoke \varnothing 57,15, and connection thread M12x1,25:

R1B - 400 - 20 - 2 - 57 - 12.