

## PRESSURE REDUCER TYPE RCP-10

### FUNCTION:

Pressure regulators are designed to maintain constant pressure downstream the valve regardless of fluctuation of supply pressure. Regulators are used in pipe networks with air or other gases in order to prevent the installation against excess pressure increase. It can also be used to maintain a protective atmosphere in the tanks.

### CONSTRUCTION:

Regulator comprises three main units:

- valve (01)
- diaphragm actuator (02), with blow-off valve
- adjuster set (3)

### PRINCIPLE OF OPERATION:

The impulse of regulated pressure (01), is applied to the actuator pressure chamber (02) from valve. Force on diaphragm, which is evoked by regulated pressure, is counterbalanced by the spring tension in the adjuster set. (03) Change in the regulated pressure causes valve plug displacement till the regulated pressure attains its set-up value. Reducer diaphragm contains the blow-off valve which protects against excessive regulated pressure.



Nominal diameter	Setting [mbar]	Connection
G3/4"	15-25 20-40 40-80 80-120	screwed, optionally with screw flange connection <b>PN16</b> acc. PN-EN 1092-1:2007
G1"		
G1 1/4"		
40		flange <b>PN16</b> acc. PN-EN 1092-1:2007
50		
Tightness class: VI cl. acc. PN-EN 60534-4		

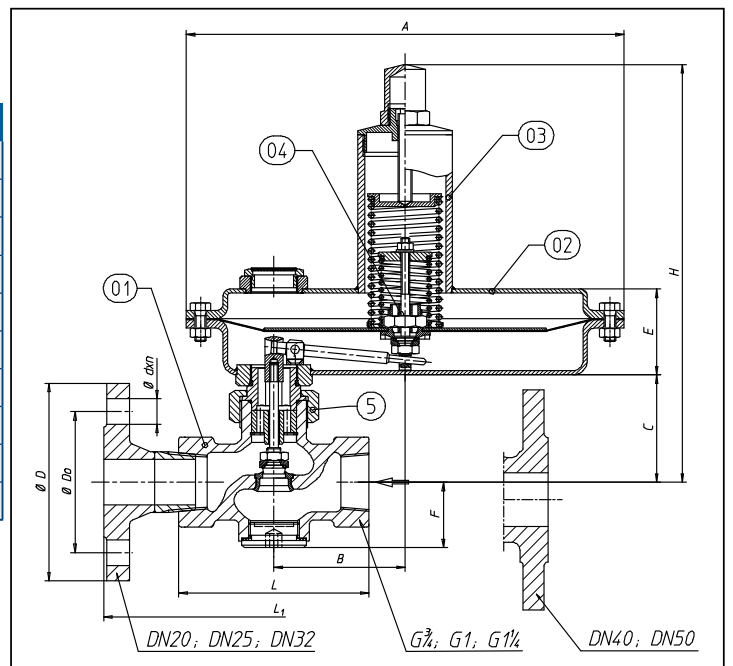
Kvs [m <sup>3</sup> /h]	Seat diameter [mm]	Diameter DN				
		3/4"	1"	1 1/4"	40	50
0,4	12,2					
0,63						
1						
1,6						
2,5						
4	16					
5	20					
6,3	25					

## MATERIALS:

	Materiały	
Body	GP240GH	1.0619
	GX5CrNiMo19-11-2	1.4408
Plug, seat	X17CrNi16-2	1.4057
	X6CrNiTi18-10	1.4541
Stem	X17CrNi16-2	1.4057
	X6CrNiTi18-10	1.4541
Plug packing	EPDM	
	NBR	
Diaphragm	EPDM	
	NBR	

## DIMENSIONS:

Size	3/4"	1"	1 1/4"	40	50	
[mm]	Do	75	85	100	110	125
	D	105	115	140	150	165
	d	14		18		
	n	4				
	A	310				
	B	93				
	C	76			132	
	E	61				
	F	47			102	110
	H	295		352		
	L	120	135	200	230	
	L1	220	240	-	-	
	Weight [kg]	10		25		30



## PRESSURE SUPPLY:

Regulated pressure [mbar]	Kvs coefficient	Seat diameter [mm]	Pressure supply [bar (g)]									DN
			0,5	0,75	1	1,5	2	2,5	3,0	3,5	4,0	
15-25	0,4	12,2	5	6,5	8	10	12,5	15	17	19	21	20
	0,63		8	10,5	12,5	16	19,5	23	26,5	29	31	
	1,0		13	17	20	26	31	36	42	46	51	
	1,6		21	26	31	42	51	-	-	-	-	
20-40	2,5	16	31	42	51	-	-	-	-	-	-	25
	1,6		21	26	31	42	51	58	67	74	78	
40-80	2,5	20	31	42	51	64	78	91	-	-	-	32
	2,5		31	42	51	64	78	91	105	115	125	
80-120	4,0	20	51	64	78	102	125	141	-	-	-	40
	5,0		64	83	102	125	141	-	-	-	-	
	6,3	25	64	83	102	125	156	183	210	220	-	
			83	102	125	162	197	210	220	-	-	

## MONTAGE

It is recommended to install valve at the horizontal pipe with flow direction showed at the valve body  
Before valve should be installed strainer FS.